

Event Fence



Optional Forklift stillages
 Optional forklift stillages are available to hold approx. 30 x EF25/200 or 20 x EF40/110. Makes handling large quantities of Event Fence panels quick and simple. Steel construction, hot dipped galvanised finish.

“Event Fence” portable barrier is a system of interlocking free standing fence panels. Strength, durability and flexibility are all features of “Event Fence”! Simply link “Event Fence” panels together to create continuous barricading for festivals, parades, sporting events or work sites.

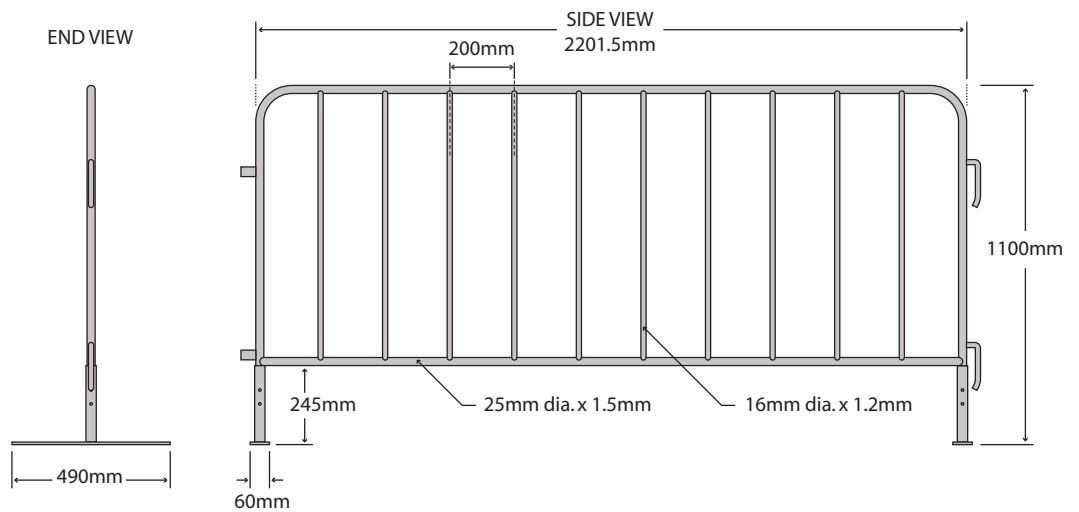
Value Features

- * Available in two weights.
- * Fully welded steel construction.
- * Galvanised finish.
- * Panels nest together when not in use to reduce storage space.
- * Feet are removable if desired for freight or storage.
- * Vertical bars eliminate climbing points.
- * Panels are able to pivot at joins.
- * Low profile feet reduce tripping hazards.

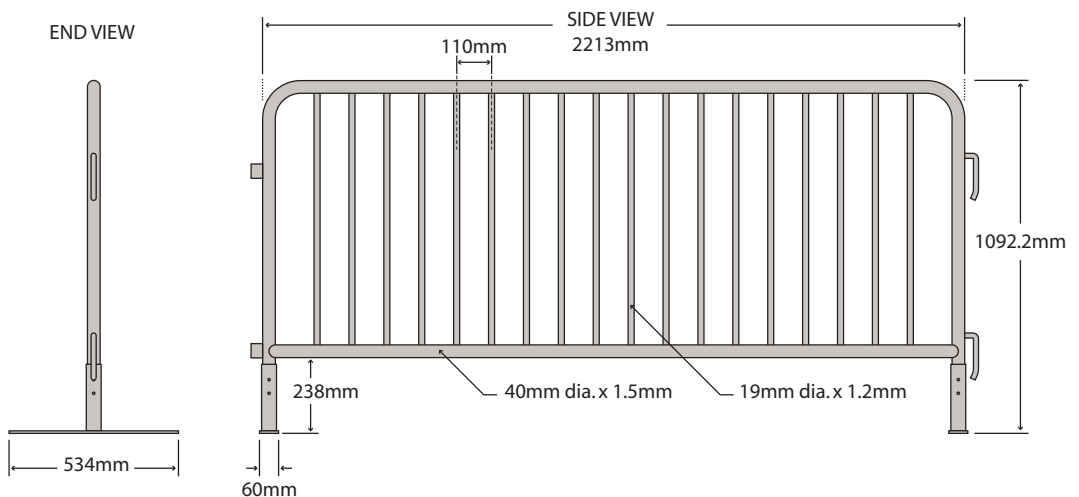
Specifications

Description:	Modular and portable temporary barrier system..
Material:	Steel construction, fully welded.
Finish:	Hot dip Galvanised.
Length:	EF25/200 - 2201.5mm. EF40/110 - 2213mm.
Width:	EF25/200 - 490mm. EF40/110 - 534mm.
Height:	EF25/200 - 1100mm. EF40/110 - 1092.2mm.
Weight:	EF25/200 - 16kgs. EF40/110 - 26kgs.
Installation:	Free standing panels, link together. No tools required.

PART No.	DESCRIPTION
EF25/200	Standard Duty Event Fence
EF40/110	Heavy Duty Event fence
DFS	Forklift stillage



EF25/200 Standard Duty



EF40/110 Heavy Duty