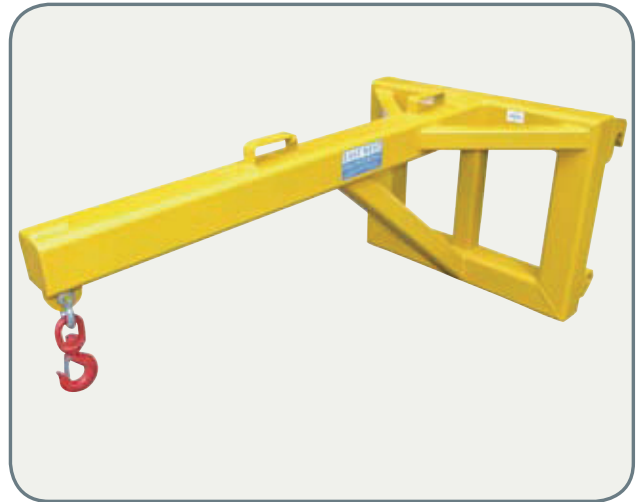


Type SHP-EXT Extended Single Hook Jib

Manufactured to suit most Telehandler and Quickhitch arrangements, the SHP-EXT is custom manufactured to suit the quickhitch as specified by the customer.

The SHP-EXT quick hitch jib is manufactured with a single hook point, at a distance of 2000mm load centre, and has a Safe Working Load of 4000 kg. Enamel paint finish.



- Supplied with hook & shackle
- Fork pockets fitted for transport
- Approximate Weight: 250 kg

Quick hitches available to suit most telehandlers and loaders.

Type SHP Single Hook Jib

The SHP Single Hook Point Jib is a simple single hook point jib offering one lifting point at a nominal distance of 500mm load centre, with an SWL of 4000kg. Enamel paint finish.

- Supplied with hook & shackle
- Approximate Weight: 150 kg



Type WP-UG Work Platform

The WP-UG Work Platform can be manufactured for most quickhitch arrangements. Manufactured in strict accordance with Australian Standards, the WP-UG Work Platform is only suitable for underground operations such as mining etc. to safely perform "Special Tasks" and is suitable for a maximum of two people.

Please note: The actual load capacity of the work platform may be restricted by the load capacity of the telehandler. We recommend checking with your local regulatory authority for special laws covering the use of personnel cages when fitted to telehandlers.



- Safe Working Load: 500 kg
- Load Centre: 700 mm
- Approx. Unit Weight: 500 kg

Type FL-CA Floating Carriage

The FL-CA Floating Carriage is designed for Telehandler and Loader machines fitted with quick hitch arrangement. The tines are pin mounted to "self level" when the machine is operating on uneven ground. Fitted with 125mm x 50mm fork tines with a length of 1200mm.

- Safe Working Load: 4500 kg at 600 mm
- Max Tine Spread: 1200 mm
- Approx. Unit Weight: 400 kg



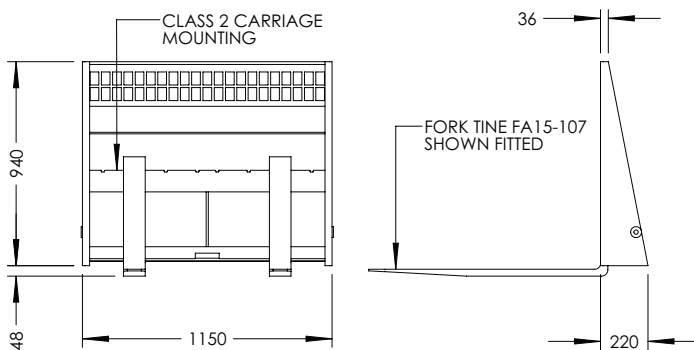
Type FC 1500 Fork Carriage

Quick release fork carriage assembly to suit skid steer and track loaders. The fork carriage is manufactured with a Class 2 fork tine mounting. Enamel paint finish. Please contact us for suitability to your machine.

- Safe Working Load: 1500 kg at 500 mm L/C
- Carriage Width: 1150 mm
- Unit Weight: 85 kg (excluding fork tines)

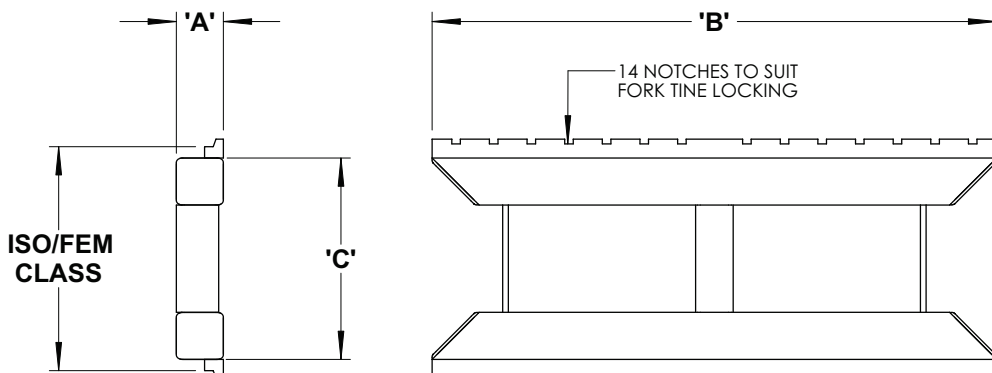
The FC1500 is suitable for the following range of Class 2 mounting fork tines (sold separately)

- FA12-100: 80 mm x 35 mm x 1000 mm long
- FA15-107: 100 mm x 32 mm x 1070 mm long
- FA15-120: 100 mm x 32 mm x 1200 mm long



Type CB Universal Carriage

The CB Universal Carriage is a weld on unit suitable for all machinery and agricultural applications where fork arms are to be fitted. Manufactured from high grade steel in accordance with AS2359.11, the carriage is precision machined to suit either Class 2 or Class 3 fork tines.



Type	ISO / FEM Class	SWL @ 500mm Load Centre	Unit Weight (kg)	"A" (mm)	"B" (mm)	"C" (mm)
CB2-1500	2	1500 kg	36	60	1200	347
CB2-2500	2	2500 kg	44	80	1200	347
CB3-5000	3	5000 kg	70	100	1200	428

Proudly distributed by www.coxengineering.com.au

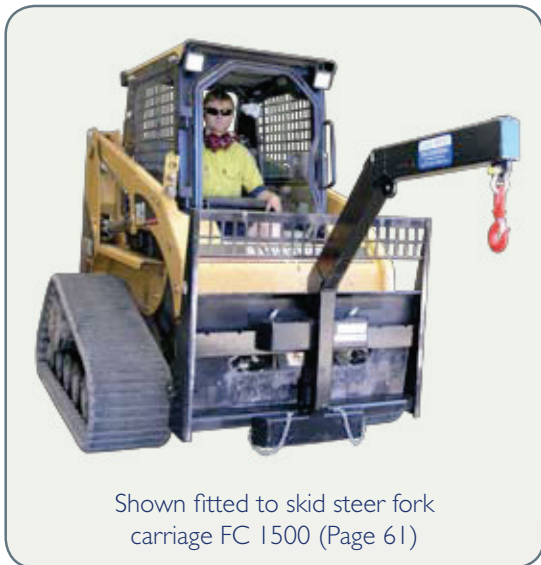
Type CMJ-2 Jib

The type CMJ-2 Carriage Mounted Jib has been designed to lift loads up to 1000kg and offers height and manoeuvrability. This unit has been designed with a Class 2 mounting and features Quick Release lower Carriage Hooks for easy installation.

Two hook positions have been incorporated in its design, with the Safe Working Load for each position shown in the diagram below. This unit is supplied with a swivel hook for lifting.

The Standard finish on this unit is painted enamel, colour black.

- Safe Working Load: 1000 kg Max.
- Unit Weight: 65 kg
- Horizontal C of G: 335 mm
- Vertical C of G: 690 mm
- Carriage Mounting: Class 2



Shown fitted to skid steer fork carriage FC 1500 (Page 61)



Can also be fitted to a standard Class 2 forklift carriage.

