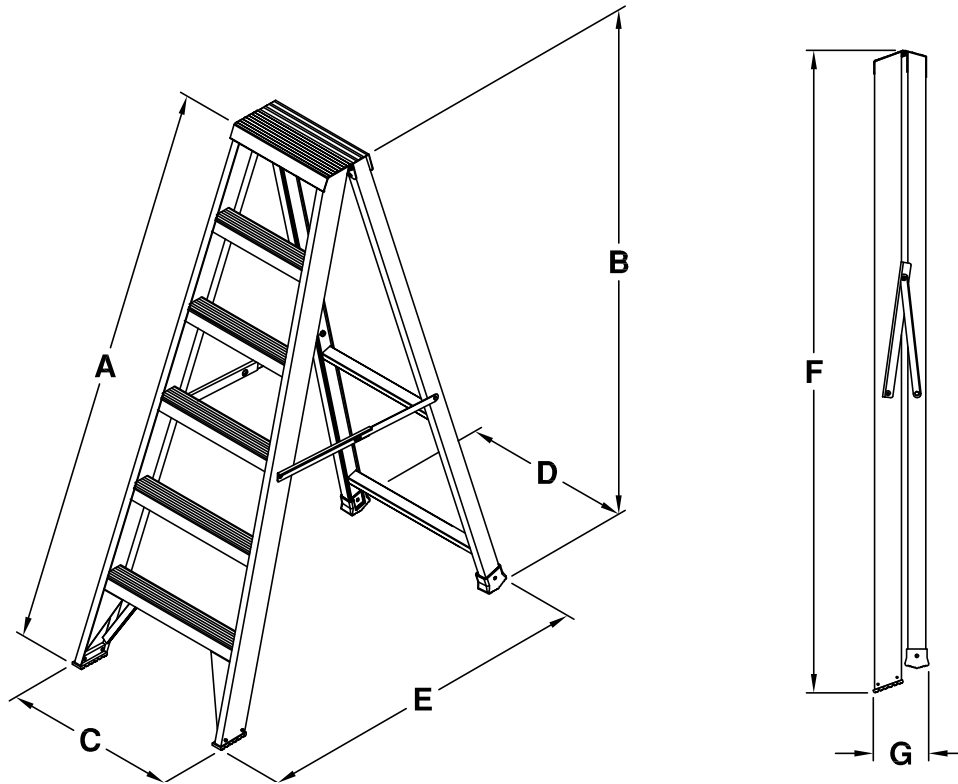


SINGLE SIDED STEPLADDERS / XHD - WELDED



PRODUCT CODE	PRODUCT DESCRIPTION	PRODUCT EAN	A(mm)	B(mm)	C(mm)	D(mm)	E(mm)	F(mm)	G(mm)	WT(kg)
FS10661	SS XHD 6 MKII (LADDERWELD)	9312097015623	1800	1691	548	539	1220	1826	158	7.70
FS10765	SS XHD 7 MKII (LADDERWELD)	9312097021976	2100	1973	588	578	1399	2126	158	9.00
FS10663	SS XHD 10 MKII (LADDERWELD)	9312097015647	3000	2819	708	695	1933	3024	158	14.90
FS10664	SS XHD 12 MKII (LADDERWELD)	9312097015654	3600	3383	788	773	2289	3622	158	17.80
FS10665	SS XHD 14 MKII (LADDERWELD)	9312097015661	4200	3946	868	851	2645	4222	158	21.50

PRODUCT CODE	PRODUCT DESCRIPTION	PRODUCT EAN	PACKED VOL(m³)
FS10661	SS XHD 6 MKII (LADDERWELD)	9312097015623	0.158
FS10765	SS XHD 7 MKII (LADDERWELD)	9312097021976	0.198
FS10663	SS XHD 10 MKII (LADDERWELD)	9312097015647	0.338
FS10664	SS XHD 12 MKII (LADDERWELD)	9312097015654	0.451
FS10665	SS XHD 14 MKII (LADDERWELD)	9312097015661	0.579

We Gladly Accept



Proudly distributed by

RJ Cox Engineering

www.coxengineering.com.au
info@coxengineering.com.au

Ph: 02) 9486 3006
 Fax: 02) 9486 3009