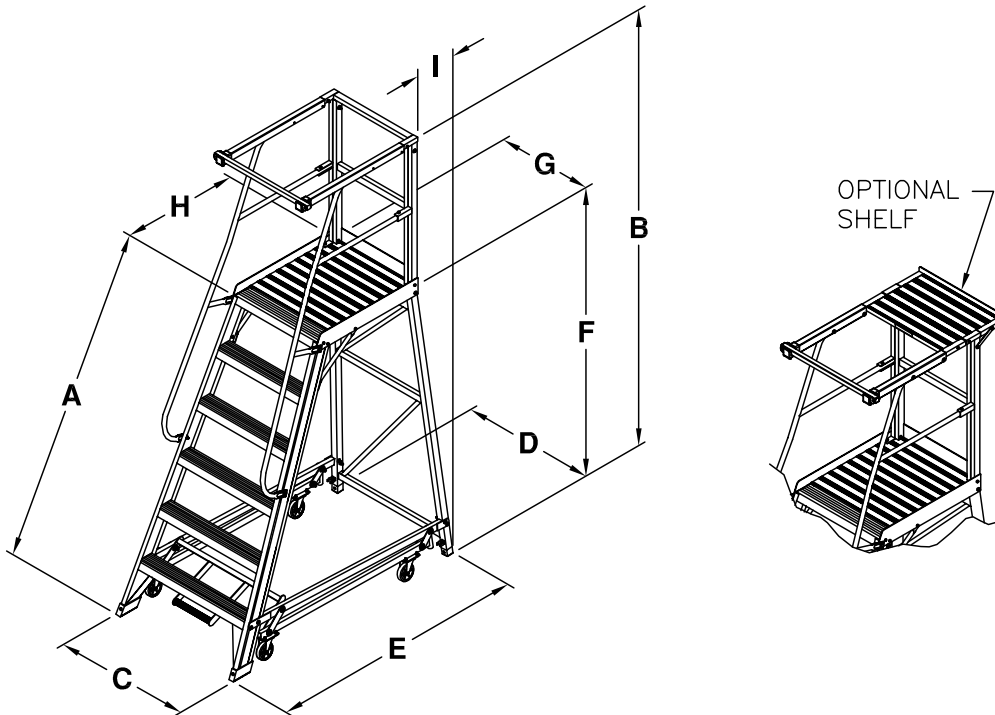


ORDER PICKING LADDERS / DOP W/SAFETY GATE



PRODUCT CODE	PRODUCT DESCRIPTION	PRODUCT EAN	A(mm)	B(mm)	C(mm)	D(mm)	E(mm)	F(mm)	G(mm)	H(mm)
FS10880	DOP 3 W/SAFETY GATE (LADDERWELD)	9312097025325	903	1737	711	702	1137	831	590	710
FS10881	DOP 4 W/SAFETY GATE (LADDERWELD)	9312097025332	1203	2013	750	742	1279	1107	590	710
FS10882	DOP 5 W/SAFETY GATE (LADDERWELD)	9312097025349	1503	2287	790	780	1421	1381	590	710
FS10883	DOP 6 W/SAFETY GATE (LADDERWELD)	9312097025356	1803	2565	829	821	1562	1659	590	710
FS10884	DOP 7 W/SAFETY GATE (LADDERWELD)	9312097025363	2103	2841	869	861	1704	1935	590	710
FS10885	DOP 8 W/SAFETY GATE (LADDERWELD)	9312097025370	2403	3117	909	901	1846	2211	590	710
FS10886	DOP 10 W/SAFETY GATE (LADDERWELD)	9312097025387	3003	3670	988	980	2329	2764	590	910
FS10887	DOP 12 W/SAFETY GATE (LADDERWELD)	9312097025394	3601	4220	1071	1059	2611	3314	590	910
FS10888	DOP 14 W/SAFETY GATE (LADDERWELD)	9312097025400	4201	4769	1151	1139	2890	3863	590	910

PRODUCT CODE	PRODUCT DESCRIPTION	PRODUCT EAN	I(mm)	WT(kg)	PACKED VOL(m ³)	ASSEMBLED VOL(m ³)
FS10880	DOP 3 W/SAFETY GATE (LADDERWELD)	9312097025325	71	28.0	0.434	1.404
FS10881	DOP 4 W/SAFETY GATE (LADDERWELD)	9312097025332	95	29.5	0.464	1.931
FS10882	DOP 5 W/SAFETY GATE (LADDERWELD)	9312097025349	119	32.5	0.490	2.567
FS10883	DOP 6 W/SAFETY GATE (LADDERWELD)	9312097025356	143	34.0	0.566	3.321
FS10884	DOP 7 W/SAFETY GATE (LADDERWELD)	9312097025363	167	38.0	0.640	4.207
FS10885	DOP 8 W/SAFETY GATE (LADDERWELD)	9312097025370	191	40.5	0.747	5.230
FS10886	DOP 10 W/SAFETY GATE (LADDERWELD)	9312097025387	240	55.5	0.801	8.445
FS10887	DOP 12 W/SAFETY GATE (LADDERWELD)	9312097025394	288	61.5	1.123	11.801
FS10888	DOP 14 W/SAFETY GATE (LADDERWELD)	9312097025400	332	69.0	1.389	15.864

We Gladly Accept



Proudly distributed by

RJ Cox Engineering

www.coxengineering.com.au
info@coxengineering.com.au

Ph: (02) 9486 3006
Fax: (02) 9486 3009