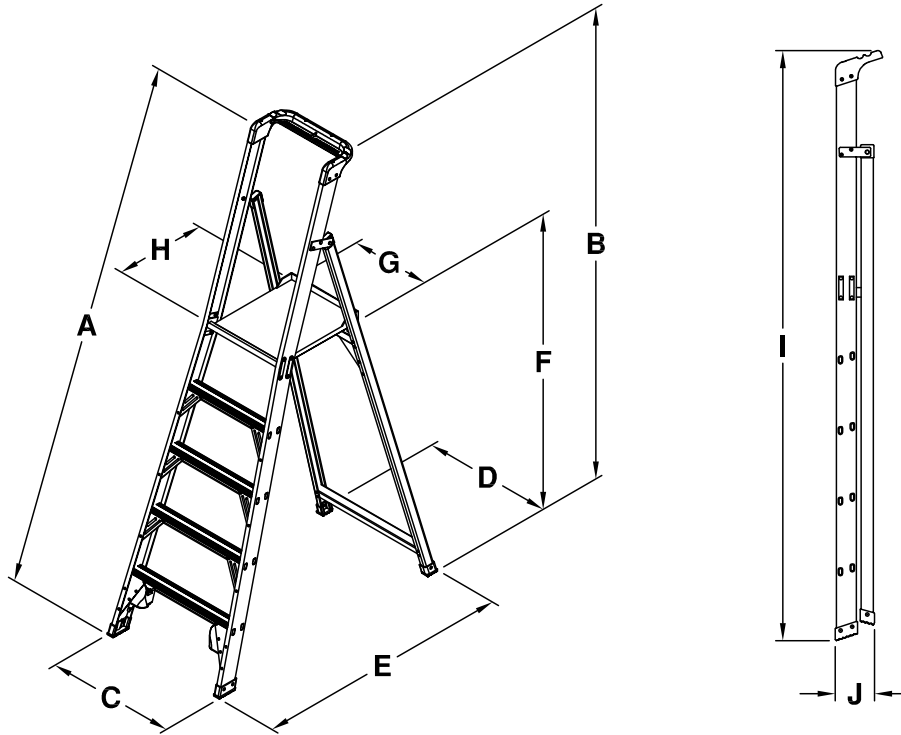


PLATFORM STEPS / FIBREGLASS PLATFORM STEP



PRODUCT CODE	PRODUCT DESCRIPTION	PRODUCT EAN	A(mm)	B(mm)	C(mm)	D(mm)	E(mm)	F(mm)	G(mm)	H(mm)
FS10720	FG PFS 2 W/BRACKETS	9312097021228	1552	1477	549	564	809	576	400	490
FS10721	FG PFS 3 W/BRACKETS	9312097021235	1852	1762	589	590	978	861	400	490
FS10722	FG PFS 4 W/BRACKETS	9312097021242	2152	2047	629	641	1147	1146	400	490
FS10723	FG PFS 5 W/BRACKETS	9312097021259	2452	2333	669	671	1317	1432	400	490
FS10724	FG PFS 6 W/BRACKETS	9312097021266	2752	2618	709	701	1486	1717	400	490
FS10725	FG PFS 7 W/BRACKETS	9312097021273	3052	2903	749	751	1655	2002	400	490
FS10726	FG PFS 8 W/BRACKETS	9312097021280	3352	3189	790	783	1824	2288	400	490

PRODUCT CODE	PRODUCT DESCRIPTION	PRODUCT EAN	I(mm)	J(mm)	WT(kg)	PACKED VOL(m³)
FS10720	FG PFS 2 W/BRACKETS	9312097021228	1609	166	9.65	0.151
FS10721	FG PFS 3 W/BRACKETS	9312097021235	1909	166	11.05	0.187
FS10722	FG PFS 4 W/BRACKETS	9312097021242	2209	166	12.45	0.235
FS10723	FG PFS 5 W/BRACKETS	9312097021259	2509	166	13.95	0.280
FS10724	FG PFS 6 W/BRACKETS	9312097021266	2809	166	15.85	0.331
FS10725	FG PFS 7 W/BRACKETS	9312097021273	3109	166	20.05	0.388
FS10726	FG PFS 8 W/BRACKETS	9312097021280	3409	166	22.45	0.447

We Gladly Accept



Proudly distributed by

RJ Cox Engineering

www.coxengineering.com.au
info@coxengineering.com.au

Ph: 02) 9486 3006
 Fax: 02) 9486 3009