

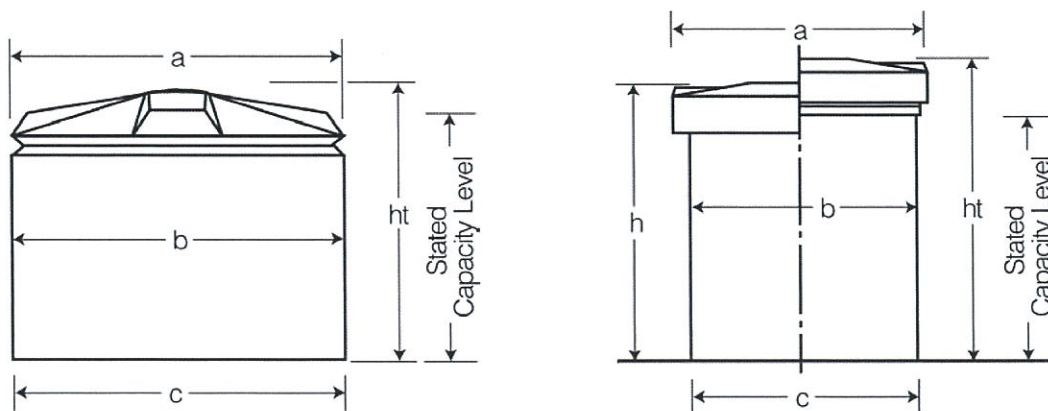
Supertanks

Moulded from tough high-density polyethylene, the Superior Pak range of free-standing Supertanks are ideal for chemical storage, water treatment or agricultural storage, both indoors and outdoors. The use of 100% virgin material allows for the products to be used for food storage. Approved for DG storage of chemicals with a specific gravity up to 1.7, Superior Pak Supertanks are UV protected. Our in-house Supertank fabrication facility can custom-build to meet your specific requirements. ISO Accreditation for Chemical tanks AS/NZS:4766 "Polyethylene Storage Tanks for Water & Chemicals".

Dangerous goods summary

Dangerous Goods approved for chemicals with a specific gravity up to 1.7, Superior Pak Rotomould Supertanks have stood the test of time and, with the customised in-house fabrication facility, can be built to meet all your specific requirements. In addition, all Supertanks come with a 50 mm B.S.P female thread in the lid to assist with your application.

Code No.	Capacity (L)	Rim Diameter (mm) a.	Internal Diameter (mm) b.	Base Diameter (mm) c.	Height (mm)	
					h	ht
E0051	500	940	845	860	1190	1190
E0053	700	1100	1010	1025	1210	1210
E0055	900	1100	1010	1025	1525	1525
E0056	1050	1190	1100	1115	1355	1370
E0084	1500	1190	1100	1115	1860	1870
E0066	2250	1560	1445	1460	1730	1880
E0068	2700	1560	1445	1460	2015	2060
E0070	5000	1960	1800	1815	2430	2610
E0457	9000	2750	2660	2700	n/a	2075
C13500	13500	2900	-	-	2130	2700
C18000	18000	3500	-	-	1840	2400
C22700	22700	3500	-	-	2400	3000





E0051 500 litre



E0053 700 litre



E0055 900 litre



E0056 1,050 litre



E0084 1,500 litre



E0066 2,250 litre



E0068 2,700 litre



E0070 5,000 litre



E0457 9,000 litre



C13500 13,500 litre



C18500 18,500 litre



C22700 22,700 litre