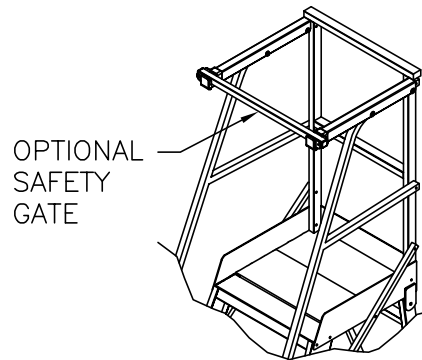
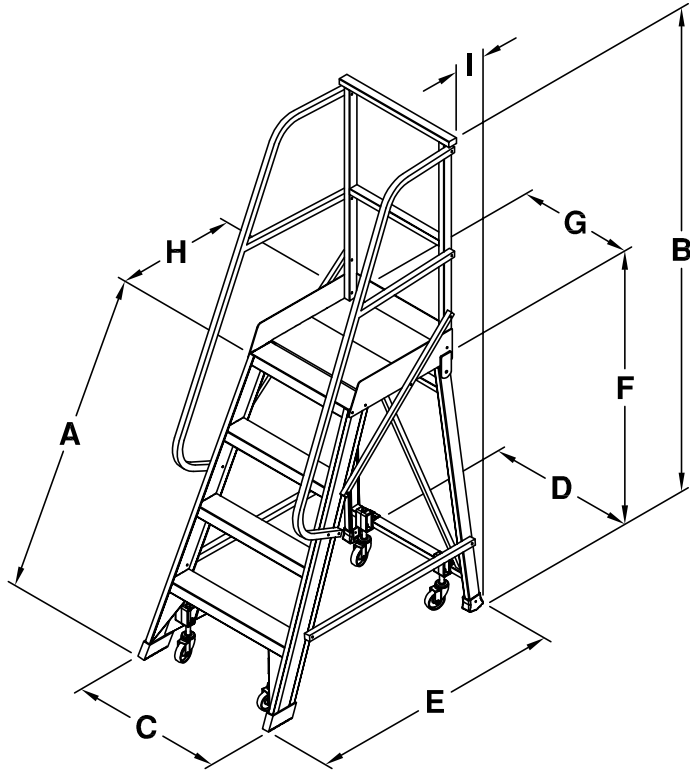


ORDER PICKING LADDERS / OP



PRODUCT CODE	PRODUCT DESCRIPTION	PRODUCT EAN	A(mm)	B(mm)	C(mm)	D(mm)	E(mm)	F(mm)	G(mm)	H(mm)
FS10863	OP 3 MKII (LADDERWELD)	9312097024939	908	1769	615	602	936	834	498	509
FS10864	OP 4 MKII (LADDERWELD)	9312097024946	1210	2047	653	636	1079	1112	498	509
FS10865	OP 5 MKII (LADDERWELD)	9312097024953	1512	2325	690	671	1221	1390	498	509
FS10866	OP 6 MKII (LADDERWELD)	9312097024960	1814	2603	727	706	1363	1668	498	509
FS10867	OP 7 MKII (LADDERWELD)	9312097024977	2116	2881	765	740	1506	1946	498	509
FS10868	OP 8 MKII (LADDERWELD)	9312097024984	2418	3159	802	775	1648	2224	498	509
FS10869	OP 10 MKII (LADDERWELD)	9312097024991	3022	3715	877	847	1933	2780	498	509
FS10870	OP 12 MKII (LADDERWELD)	9312097025004	3626	4271	952	913	2217	3336	498	509

PRODUCT CODE	PRODUCT DESCRIPTION	PRODUCT EAN	I(mm)	WT(kg)	PACKED VOL(m ³)	ASSEMBLED VOL(m ³)
FS10863	OP 3 MKII (LADDERWELD)	9312097024939	65	17.5	0.226	1.018
FS10864	OP 4 MKII (LADDERWELD)	9312097024946	89	19.5	0.259	1.442
FS10865	OP 5 MKII (LADDERWELD)	9312097024953	113	22.5	0.325	1.959
FS10866	OP 6 MKII (LADDERWELD)	9312097024960	138	23.5	0.398	2.579
FS10867	OP 7 MKII (LADDERWELD)	9312097024977	162	28.5	0.516	3.319
FS10868	OP 8 MKII (LADDERWELD)	9312097024984	186	30.5	0.508	4.175
FS10869	OP 10 MKII (LADDERWELD)	9312097024991	235	34.5	0.672	6.298
FS10870	OP 12 MKII (LADDERWELD)	9312097025004	284	41.0	0.852	9.014

We Gladly Accept



Proudly distributed by

RJ Cox Engineering

www.coxengineering.com.au
info@coxengineering.com.au

Ph: 02) 9486 3006
 Fax: 02) 9486 3009